

# CD225M Dri-Prime Pump

CD225M

The Godwin Dri-Prime CD225M pump offers flow rates to 3,522 USGPM and discharge heads to 175' (53m). Also it has the capability of handling solids up to 3" (75mm) in diameter.

The CD225M is able to prime to 28' (8.5 m) of suction lift from dry.

Indefinite dry-running is no problem due to the unique Godwin oil bath mechanical seal design. Solids handling, dry-running and portability make the CD225M the perfect choice for small dewatering and bypass applications. The standard model is mounted on a highway trailer, with a skid-mounted option.



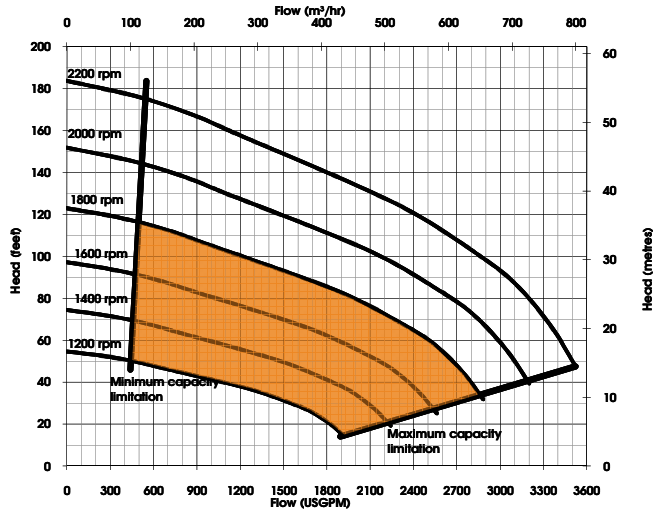
## Features

- Simple maintenance normally limited to checking fluid levels.
- Close-coupled centrifugal pump with vacuum priming compressor mounted to a diesel engine. Also available in electric drive or as bare shaft pumpend.
- Extensive application flexibility. It will handle sewage, slurries and liquids with solids up to 3" in diameter.
- Continuously operated Godwin venturi air ejector priming device requiring no form of periodic adjustment or control.
- Dry-running heavy duty mechanical seal with abrasion-resistant interfaces.
- Also available in a Critically Silenced unit which drastically reduce noise levels of the pump.
- Standard engine John Deere 4045TF285. Also available with Caterpillar C4.4E-TA.
- The volute & suction cover are made from cast iron bs1452:1990 grade 220 and the impeller is made from cast steel bs3100 a5 hardness to 200 hb brinell.

## Specifications

Suction connection	8" 125# ANSI B16.1
Delivery connection	8" 125# ANSI B16.1
Max capacity	3522 USGPM
Max head	175' (53m)
Max solids handling	3" (75mm)
Max impeller diameter	11" (290mm)
Max operating temp	176°F (80°C)
Max working pressure	79.8 psi (5.5 bar)
Max suction pressure	72.5 psi (5.0 bar)
Max casing pressure	120.4 psi (8.3 bar)
Max operating speed	2200 rpm

## Performance Curve



## Materials

Pump casing & suction cover	Cast iron BS1452:1990 grade 220
Wearplates	High chromium cast iron HC403:1977
Pump shaft	Nickel chrome steel to BS970 grade 817M40T
Impeller	Cast steel BS3100 A5 hardness to 200 HB Brinell
Non-return valve body	Cast iron
Mechanical seal faces	Silicon carbide vs silicon carbide

CD225M

### Engine option 1

John Deere, 4045TF285, 87.1 HP @ 1800 rpm

Impeller diameter 11 " (290 mm)

#### Suction Lift Table

Total Suction Head (')	Total Delivery Head (')				
	29	45	64	82	90
Output (USGPM)					
8.0	2813	2489	2001	1272	975
12.2	2655	2378	1862	1129	832
16.2	2457	2203	1704	971	654
20.2	2219	1981	1545	812	476

Fuel capacity (Full) 105 US Gal, (Usable) 105 US Gal

Fuel consumption @ 1800 rpm BEP 4.3 US Gal/hr

Weight: (Dry) 4,328 lbs, (Wet) 5,186 lbs

Dimensions: (L) 155" x (W) 76" x (H) 79"

### Engine option 2

Caterpillar, C4.4E-TA, 103.2 HP @ 1800 rpm

Impeller diameter 11 " (290 mm)

#### Suction Lift Table

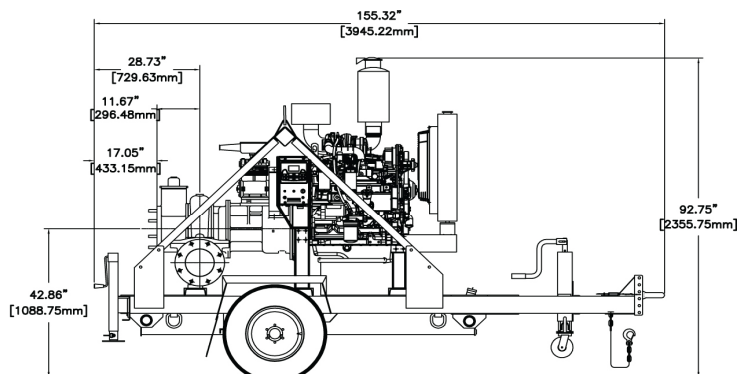
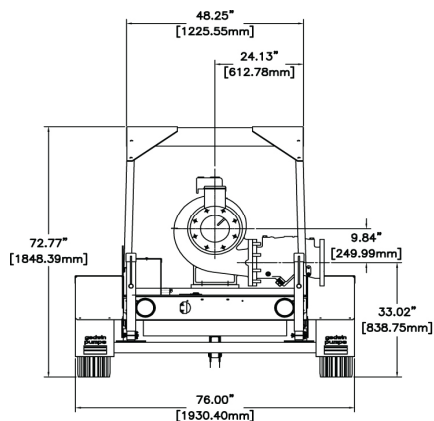
Total Suction Head (')	Total Delivery Head (')				
	29	45	64	82	90
Output (USGPM)					
9.8	2813	2489	2001	1272	975
15.1	2655	2378	1862	1129	832
20.0	2457	2203	1704	971	654
24.9	2219	1981	1545	812	476

Fuel capacity (Full) 105 US Gal, (Usable) 105 US Gal

Fuel consumption @ 1800 rpm BEP 4.5 US Gal/hr

Weight: (Dry) 4,427 lbs, (Wet) 5,268 lbs

Dimensions: (L) 155" x (W) 76" x (H) 79"



Performance data provided in tables is based on water tests at sea level and 68°F ambient.

All information is approximate and for general guidance only.

Please contact Godwin Pumps for further details.

Reference number : 95-1015-3000

Date of issue : August 25, 2011

Issue : 1

godwin   
a xylem brand

84 Floodgate Road | Bridgeport, NJ 08014 USA  
P: (856) 467-3636 | F: (856) 467-4841  
Sales@godwinpumps.com | godwinpumps.com

Godwinpumps, Dri-Prime® and the color orange for pumps are registered trademarks of Godwin Pumps. Specifications and illustrations are subject to revision without notice. Godwin Pumps is not liable for any incompleteness or inaccuracies. Godwin Pumps is not liable for any consequential, incidental or indirect damages relating to these specifications or their use. Godwin is a direct wholly owned subsidiary of ITT Corporation.